

# PMV

## High Viscosity Powder Mixer



### The Mixer You Trust, Taken to New Viscosities

Stop wasting your valuable time and money on outdated, oversized, or underperforming mixing systems. The Fristam Powder Mixer provides quick, thorough blending of wet and dry ingredients into a fluid stream.

Now, the Fristam PMV allows you to go where a Powder Mixer could never go before. The use of our FDS Double Screw pump allows the Fristam PMV to mix products at viscosities previously

difficult to handle, with all the same advantages our Powder Mixer has always had.

The Fristam FDS allows the powder mixer to handle a wide range of viscosities, up to 1,000,000 cps. Products can begin at lower viscosities and the FDS will maintain consistent suction as the product concentrations and viscosities climb past the point where traditional pumps would fail.

### Package Base Features

- FDS double screw pump
- FS shear blender
- Arc valve
- Control panel with Variable Frequency Drives (VFDs) for both pumps

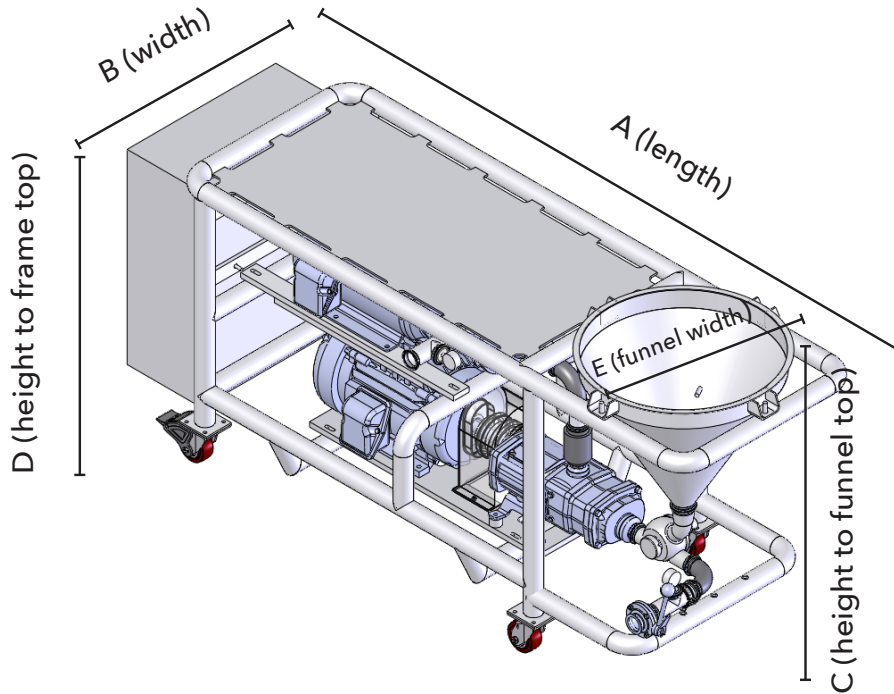
### Optional PMV Features

- Funnel vibrator: promotes powder flow
- Funnel screen: prevents foreign materials from entering the funnel
- Funnel lid: covers funnel to keep foreign materials out when not in use
- Double seals: for sticky or abrasive products

**Fristam**  
**PUMPS®**  
*Engineered For Lasting Performance®*

1-800-841-5001 • [fristam.com/PM](http://fristam.com/PM)

# PMV Dimensional Drawing



Model	FDS Model	FS Model	Inlet	Outlet	A	B	C	D	E
2-52	2 (5.1)	352	2 (5.1)	2 (5.1)	92 (234)	30.5 (77.5)	41.5 (105.5)	39 (99)	24 (61)
<i>All dimensions are in inches (centimeters).</i>									

# PMV Induction/Flow Capacity

Powder Mixer	Liquid Flow Rate	Max Induction Rate lbs/min (kg/min)			
Model	GPM (m <sup>3</sup> /hr)	Sugar/Salt	Starch/WPC/ Cocoa	Pectin	Carbopol/ Xanthan
PMV 2-52	10-25 (2.3-5.7)	50 (22.7)	34 (15.4)	10 (4.5)	5 (2.3)

