



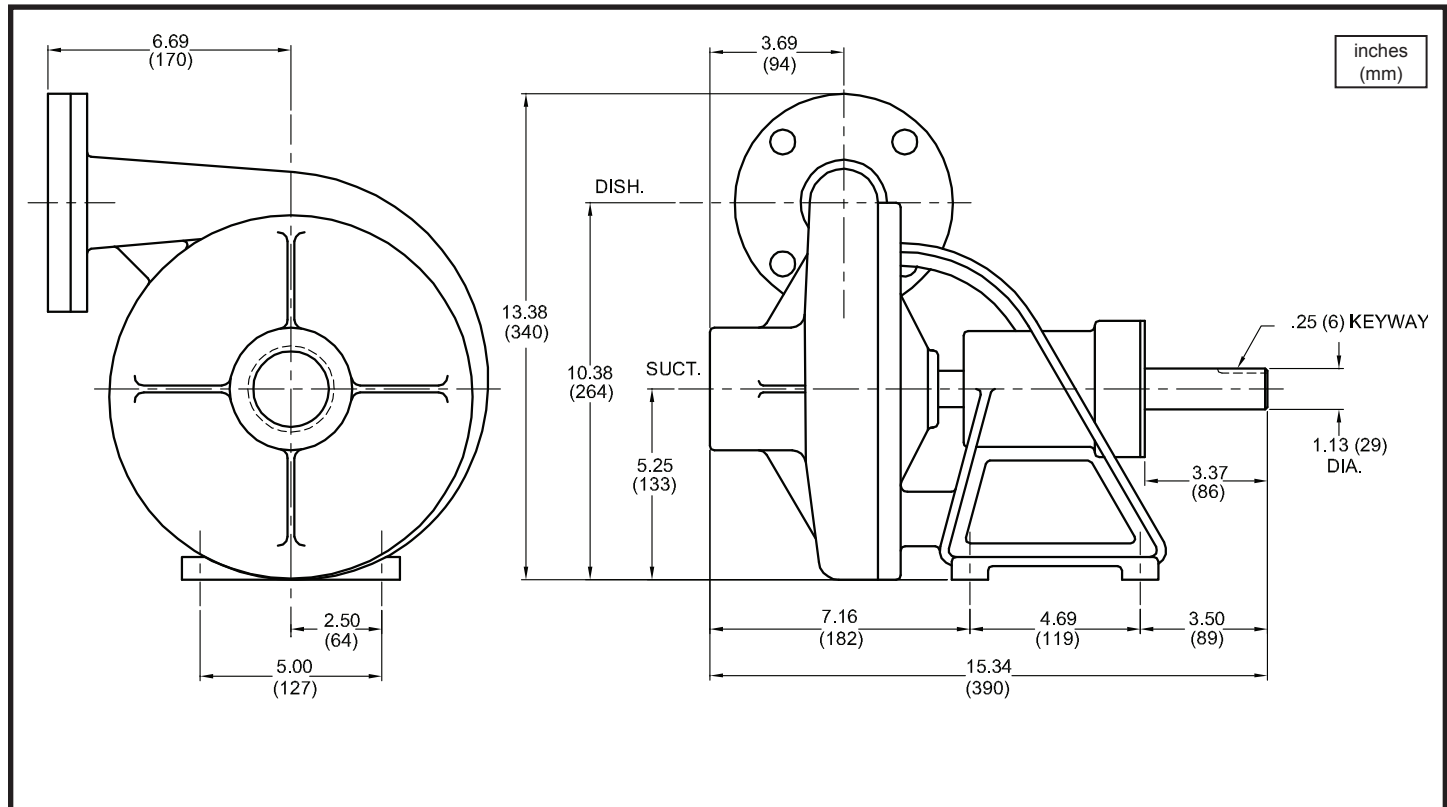
# Model 2020HCU

Universal Drive

# BARNES®

www.cranepumps.com

## End Suction Centrifugal Pumps



MODEL NO	PART NO	WEIGHT LBS. (kg)	PEI <sub>CL</sub>
2020HCUF0C2	029676	74 (33.6)	0.97

### IMPORTANT !

- DO NOT USE FOR PUMPING FLUIDS WITH A FLASH POINT OF LESS THAN 100°F.
- MAKE CERTAIN THAT PUMP AND/OR MOTOR ASSEMBLY AND CONTROLS HAVE THE APPROPRIATE RATINGS FOR THE GIVEN APPLICATION AREA CLASSIFICATION. (ie DIVISION I, AGENCY LISTING ETC.)

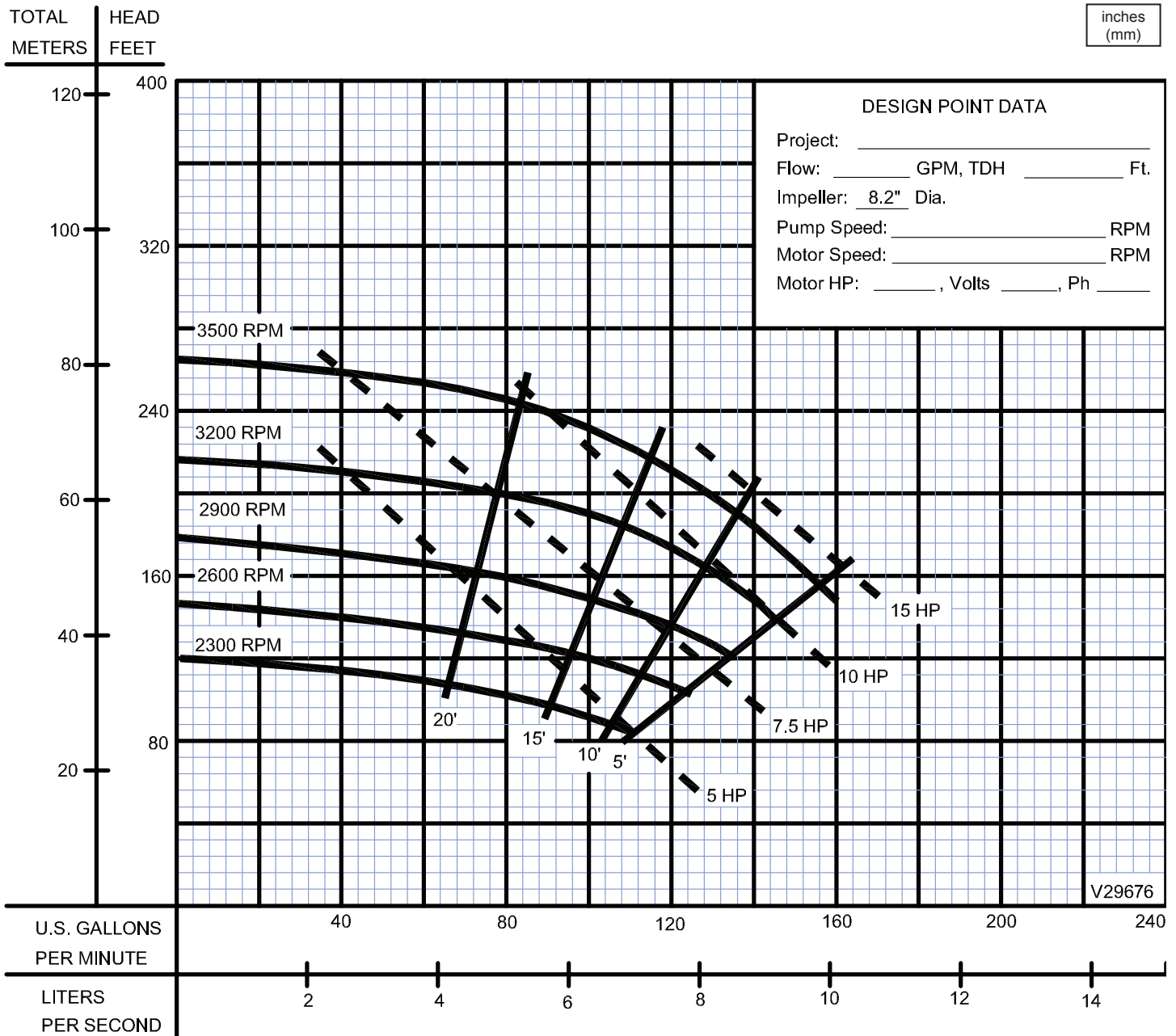
SECTION 5B  
PAGE 2  
DATE 4/19

**CRANE**  
A Crane Co. Company

PUMPS & SYSTEMS

USA: (937) 778-8947 • Canada: (905) 457-6223 • International: (937) 615-3598

### End Suction Centrifugal Pumps



Testing is performed with water, specific gravity 1.0 @ 68° F @ (20°C), other fluids may vary performance

# Model 2020HCU

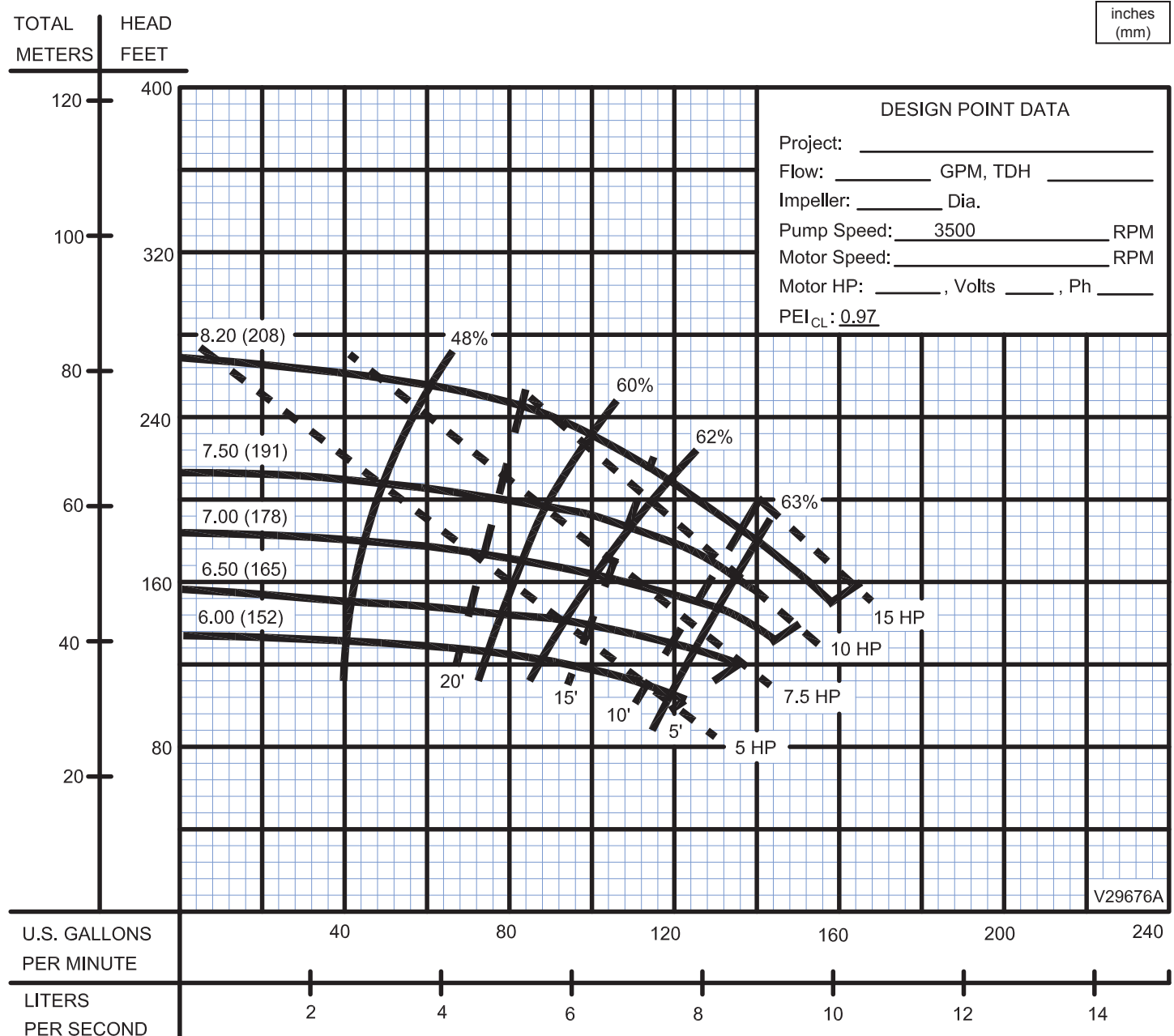
Performance Curve

Universal Drive, Various Impeller Diameters, 3500 RPM

# BARNES®

www.cranepumps.com

## End Suction Centrifugal Pumps



Testing is performed with water, specific gravity 1.0 @ 68° F @ (20°C), other fluids may vary performance

SECTION 5B  
PAGE 4  
DATE 4/19

## CRANE®

A Crane Co. Company

## PUMPS & SYSTEMS

USA: (937) 778-8947 • Canada: (905) 457-6223 • International: (937) 615-3598